

HyPort R80

Medical supply unit

Care for health with optimal workflow



TECNOIMAGEN
www.tecnoimagen.com.ar | 11-4582-2222

mindray
healthcare within reach



Intensive care unit (ICU) plays a pivotal role in treating diseases with the development of medical science. As a new standard configuration of ICU, ceiling supply units are not only equipped with simple power and air supply, but also endowed with more responsibilities and missions, so as to create a safer, high-efficient and healthier ICU environment.

Efficiency

Highly integrated bedside device management system helps caregivers organize medical devices to various clinical needs. It makes efficient use of bedside space with a series of easy-to-use designs, enabling a more efficient workflow for medical staff.



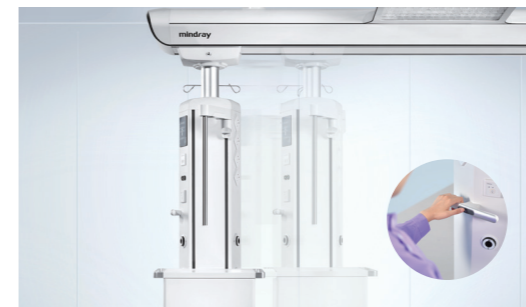
Folding shelf

Portable ventilators can be safely placed on the shelf, and the shelf can be folded up to make more space for integrated ventilators.



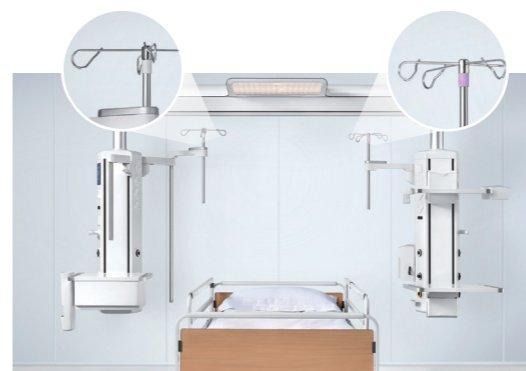
Bag-valve-mask management

It can rapidly respond to the use of breathing balloon, enabling better organized rescue and saving the precious time for first aid.



Braking technology

Advanced braking technology ensures stability of the column when moving.



Partition management

The device can be managed in partitions, and the power and air supply can be rapidly and conveniently plugged in and out.

The pump separation layout allows medical staff to easily identify infusion pumps and feeding pumps.

Safety

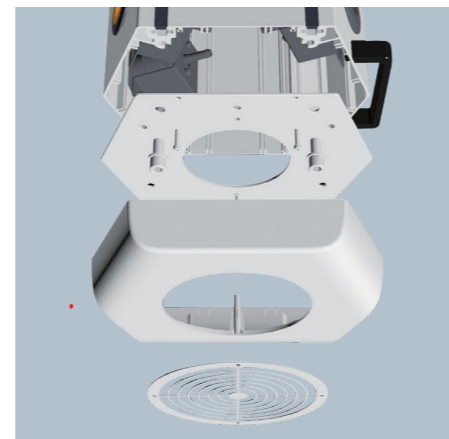
Safety is the first priority of medical environment. With the EU standards ISO 11197-2019 Medical Ceiling Supply Unit as the basis of design, HyPort R80 is manufactured according to higher standards.

New gas and electric design

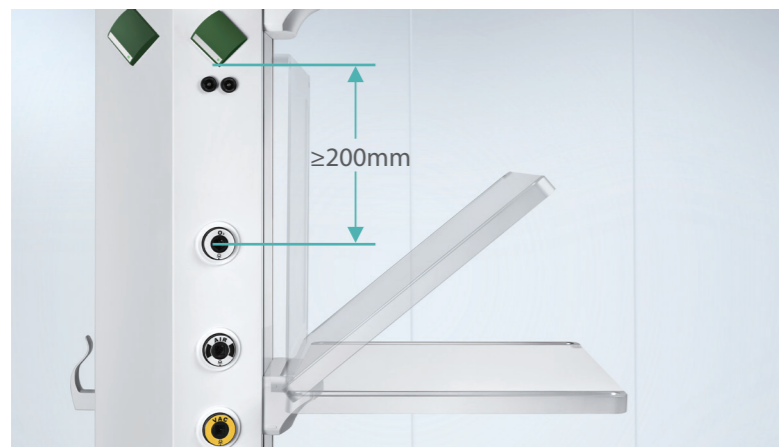


Oxygen concentration monitoring

24-hour continuous monitoring of oxygen concentration with built-in alert system. The audible and visual alarms will warn the healthcare workers once the oxygen concentration exceeds the warning value.



Design of exhaust system



Design of hexahedral column

Upper power outlet and lower air outlet arrangement with a safe 200mm distance satisfies the quick application of both stationary and mobile devices.

Infection control

The screwless design provides a better infection control. The antibacterial coating on the surface prevents the bacterial growth.



Screwless design



Design of totally enclosed suspension beam

Cable management

A small design contains great intelligence



Leadwire management

- A multifunctional management system of leadwire manager is adopted
- The switching design is applicable to the management of lead wires of different sizes and avoids the risk due to traction of wires
- The design of hooks allows the accommodation of excess cables

Pump cable clamps

The clamping system of infusion pump extension arm can efficiently conceal the power cables behind the pump, which not only prevents medical safety risks due to plugging errors but also allows for quick seeking of power supply when transferring the pump.

Bedside device cable manager

- Effective management of power cables of various bedside devices.
- Prevention of safety risks such as plugging errors

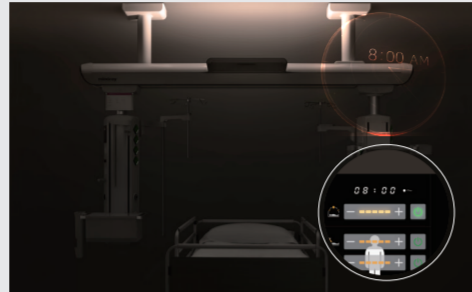
Recovery

It has been studied that more than half of the ICUs are enclosed spaces, and a poor lighting environment affects the rehabilitation of patients and the work and life of medical staff. HyPort R80 provides integrated lighting solutions to effectively optimize the ICU environment and offer a healthier lighting system.

Circadian light

Full of energy in the morning and plenty of rest in the evening

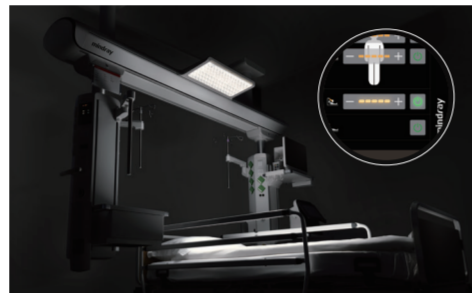
- LED design with spectra mimicking 24-hour sunlight changes and infinitely approaching sunlight spectra
- Simple operation and automatic adjustment
- Multiple levels of illuminance



Reading light

Anti-blue-ray design that enables easier reading

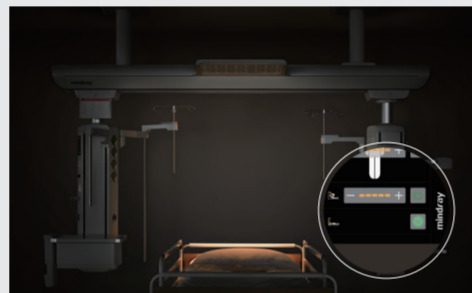
Effectively avoid invalid glare and guarantee the reading needs of rehabilitating patients.



Navigation light

Elliptical light design

Convenient for night observation and operation by healthcare workers.

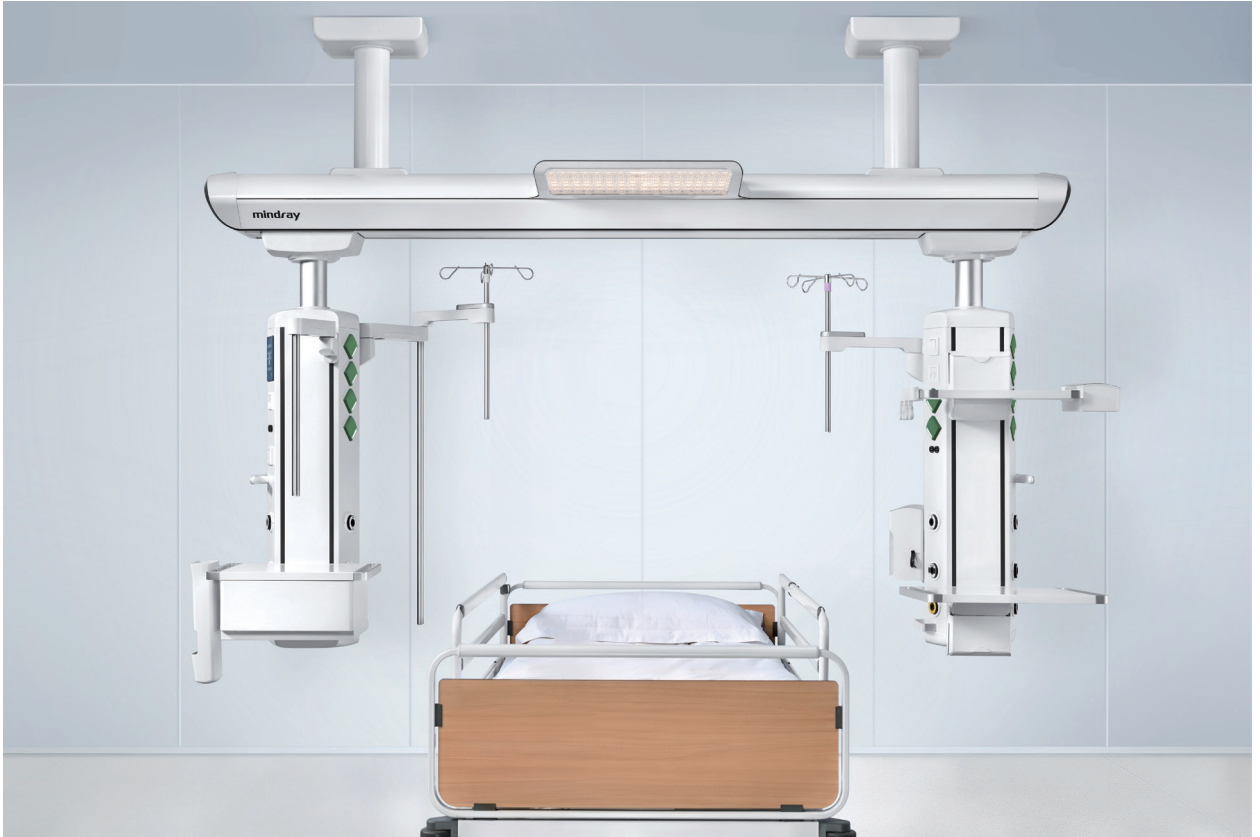


Examination light

Convenient for operation by doctors, reducing invalid glare

- Brim solution designed with 96 LED arrays
- The principle of internal reflection and the scaled design of the lens of auxiliary light for surgery can decrease invalid glare
- The examination light is designed with the highest illuminance of up to 10,000 Lux, which can be used for shadow-free illumination as well, with 5 levels of adjustable illuminance





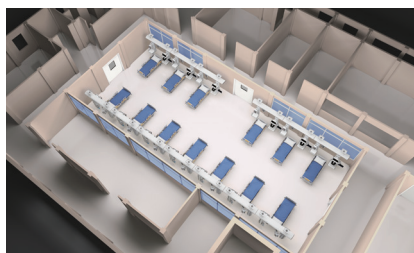
Variety

ICUs has been developed into general ICUs and special ICUs with the advancement of medical treatment and nursing, so different layouts are necessary. However, relative isolation from the outside world is required to ensure that there are sufficient spaces for treatment and rescue around single bed, two beds and multiple beds.

HyPort R80 is applicable to the ICU layouts in various departments. It is adaptable to all changes and needs for treatment of every disease.

ICU

ICU open room



ICU
(single room)



Normal light



Swivel arm solution

ICU
(single room)



Circadian light



Swivel arm solution

ICU
(double room)



Normal light



Circadian light

ICU
(double room)



Normal light
single swivel arm solution



Double swivel arm solution

ICU
(double room)



Normal light



Solution for combined arrangement of
three columns for two beds

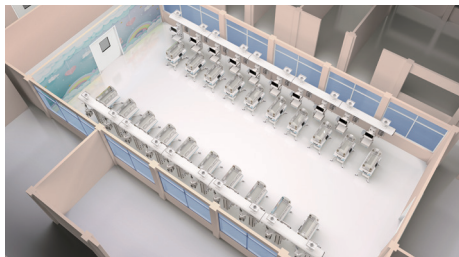


Variety

The NICUs are mainly admitted with premature infants, and they are divided into 3 levels of treatment areas according to the gestational age, birth weight and vital sign evaluation of premature infants. The extremely premature infants and very low birth weight infants are mainly treated in Grade 3 area.

Through different Combined Scenarios, HyPort R80 can meet various treatment requirements in different areas and improve the medical efficiency.

NICU





Two columns for one incubator



Two columns for one incubator



One column for one incubator



One column for one incubator



One column for two incubators



One column for two incubators



One column for two incubators



Two columns for three incubators